

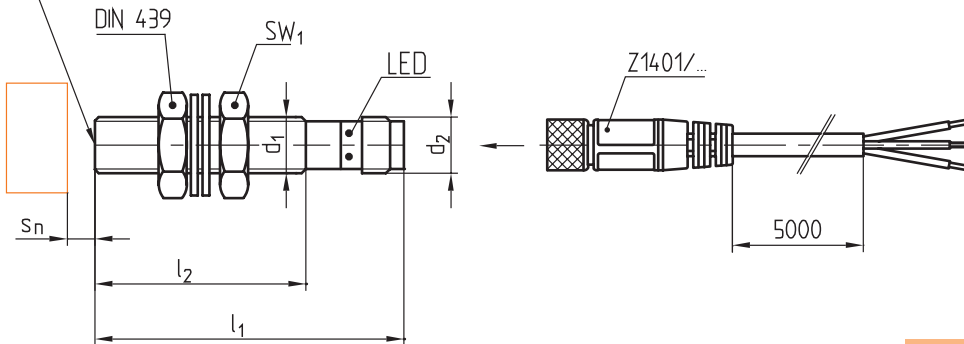
Z1471/...

10 ... 30V  $\overline{\text{~}}$  /  $\leq$  300mA



► Info

Aktive Fläche  
Active surface  
Surface active



Neu / New / Nouveau

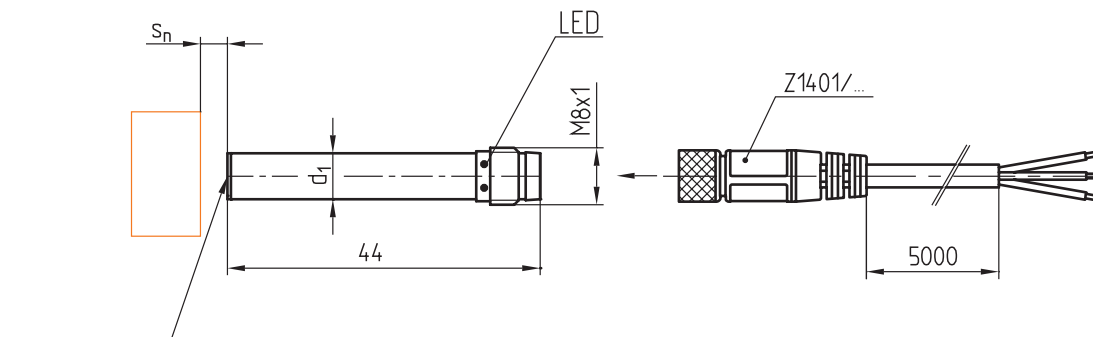
max. °C	DIN 439	SW <sub>1</sub>	d <sub>2</sub>	l <sub>2</sub>	l <sub>1</sub>	S <sub>n</sub>	d <sub>1</sub>	Nr./No.
70	M 5x0,5	7	M 8x1	20	41	1,5	M 5x0,5	Z1471/1,5/ 5
	M 8x1	13	M 8x1	30	44		2	M 8x1
	M12x1	17	M12x1	40,5	70	5	M12x1	2 / 12
	M18x1	24	M12x1	50,5	83		M18x1	5 / 18

Z1473/...

10 ... 30V  $\overline{\text{~}}$  /  $\leq$  300mA



► Info



Aktive Fläche  
Active surface  
Surface active

max. °C	S <sub>n</sub>	d <sub>1</sub>	Nr./No.
70	2	6,5	Z1473/2/6,5

This is trial version  
www.adultpdf.com